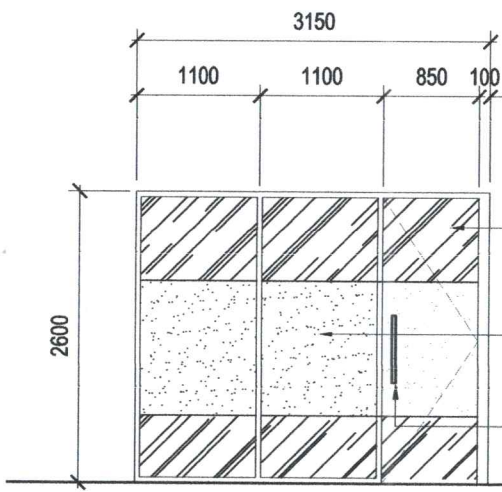
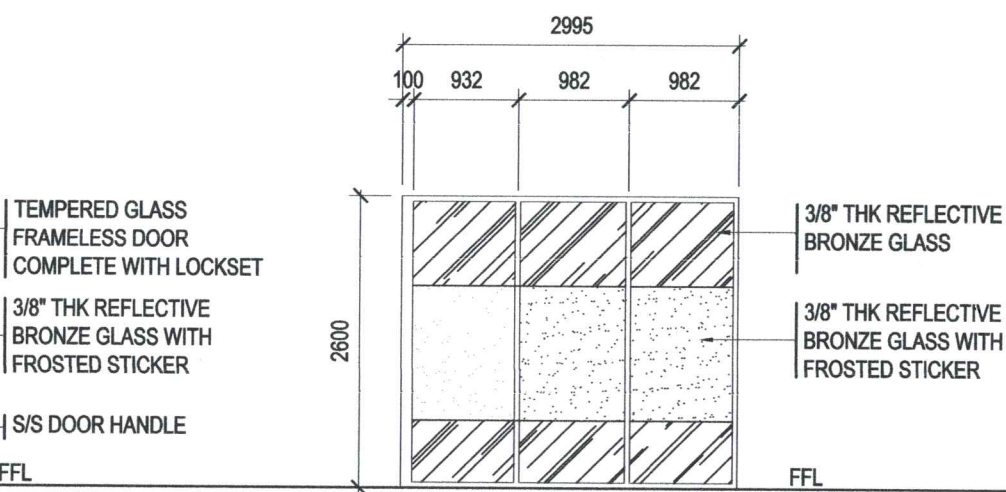


PLAN



ELEVATION A



ELEVATION B

